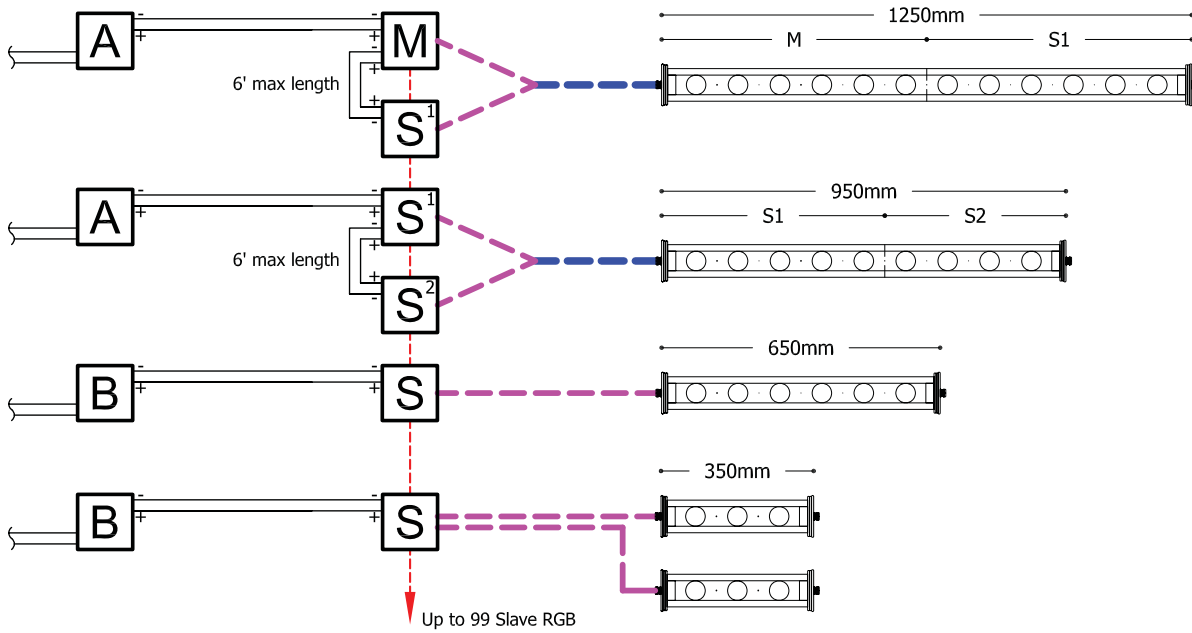




# CIRCUIT DIAGRAM

VELIS RGB, BLED RGB (via proprietary RGB control)

Cut Sheet #9T061



## SYMBOLS

- M** Master RGB  
BMASTER-RGB-5x3 or BMASTER-RGB-5x3I
- S** Slave RGB  
BSLAVE-RGB-5x3
- A** 60w 24v Driver  
100-277v 50/60 Hz
- B** 25w 24v Driver  
90-277v 50/60 Hz
- 3 x 1w 3.2v 350mA RGB LEDs

\* NOTE: 100w 24v Driver also available.

## WIRING

- Line Voltage Input
- 24V - (2) 18AWG - 66' max total length
- RGB SIGNAL - (2) Shielded Twisted Pairs - 656' max total length
- 24V - (6) 18AWG - 66' max total length
- 24V - (12) 18AWG - 66' max total length