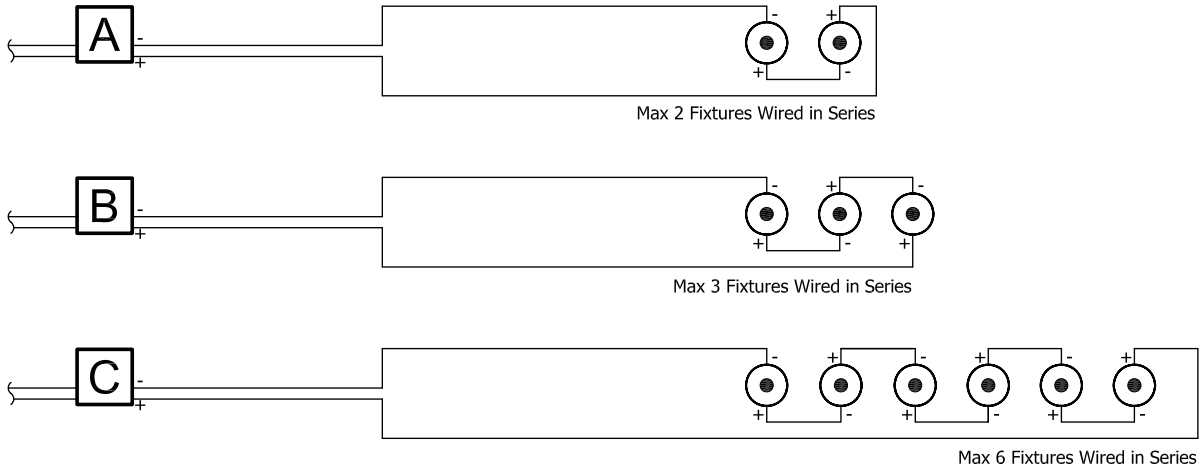




CIRCUIT DIAGRAM

LUX SERIES, NITELED 3w, GLAD 01, GLAD 02, RAYLUX

Cut Sheet #9T101



SYMBOLS

WIRING

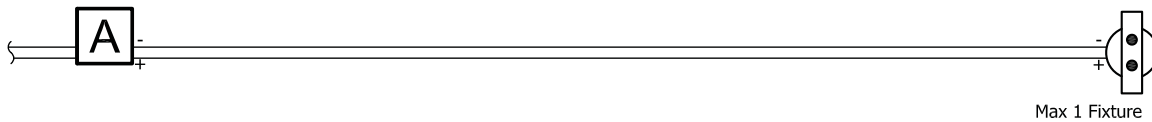
- A** 6w 700mA Driver
100-240v 50/60 Hz
- B** 10w 700mA Driver
100-265v 50/60 Hz
- C** 18w 700mA Driver
85-277v 50/60 Hz
- Fixture with 1 x 3w 4v 700mA LED

- Line Voltage Input
- 700mA - (2) 18AWG - 66' max total length



CIRCUIT DIAGRAM

GIET 02 (WHITE LIGHT)



SYMBOLS

WIRING

- A** 10w 350mA Driver
95-265v 50/60 Hz
- GIET 02 with
6 x 1w 3.2v 350 mA LED

- Line Voltage Input
- 350mA - (2) 18AWG - 66' max total length